

ZooScale

Portable Platform Weighing Scales



We have been delivering ZooScales for nearly 10 years. It all began when we heard the Sacramento Zoo was looking for a truly portable scale to weigh Zoo animals.

Our ZooScales have been used worldwide, from the wilds of Asia to weigh elephants, to PAWS to weigh animals in retirement, to over 75 public zoos.

Our ZooScale allows the zoos to keep platforms in the exhibit areas, and carry in the portable platform scale system – case & scale system weigh under 40 lb. A platform is put on the four load cells, the display zeroed out, and the animal can be weighed.

We offer two models, the –1000 for weighing up to 1000 lbs standard (2000 lbs optional) , or –10k for weighing up to 10,000 lbs (20,000 lbs optional). The optional higher weight capacity is a program setting in the Display software.

FEATURES:

- Platform does not need leveling
- Four stainless steel Helix load cells
- Any sized platform can be used
- Spring-like characteristics of Helix load cell cannot be knocked out of calibration due to shock or vibration, and does not need to be re-calibrated like scales with traditional load cells
- Two models: 1000/2000 lb and 10,000/20,000 lb
- Optional RS-232 Display interface
- Display requires 110 v ac voltage or 6 C cell batteries

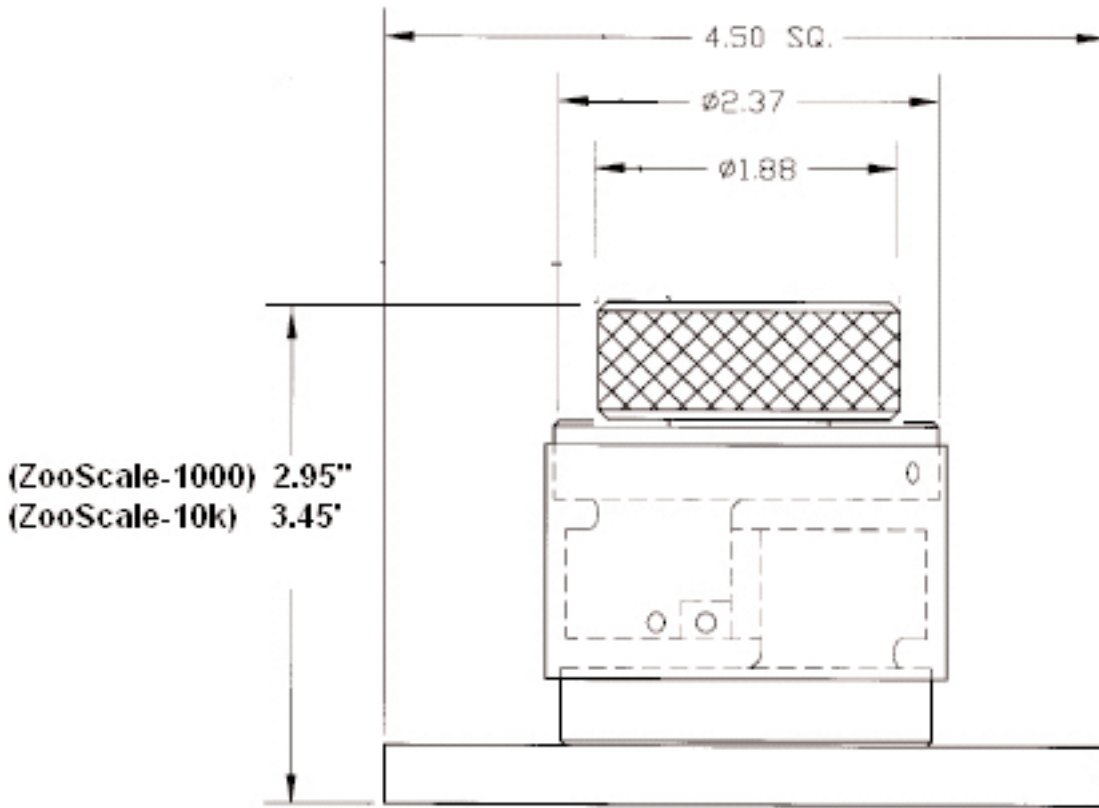
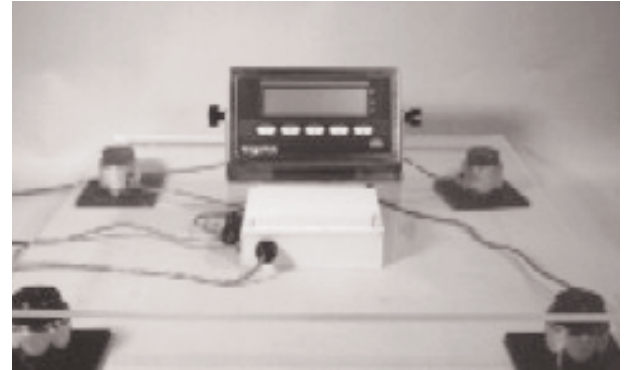
The portable ZooScale can turn any semi-rigid platform into a scale with 0.5% accuracy, or an uneven surface, or 0.1% accuracy on a level surface. With the Helix load cell, platform flexing does not affect accuracy. Because the ZooScale is compact, lightweight, and unrestricted by platform size, it is ideal for use in tight locations and can be adapted for any animal weighing.

MODEL:

ZooScale 1000	Capacity 1000 lbs in 0.1 lb increments 2000 lbs in 0.2 lb increments
ZooScale 10k	Capacity 10,000 lbs in 1 lb increments 20,000 lbs in 2 lb increments

SPECIFICATIONS:

- Capacity:** 1000/2000 lbs & 10,000/20,000 lbs
- Resolution:** 0.1 lb (1000 lb), 0.2 lb (2000 lb), 1 lb (10k lb), 2 lb (20k lb)
- Accuracy:** 0.1% applied load (level surface, rigid platform)
0.5% of applied load (uneven surface)
- Overload:** 10x (we have never had a load cell overloaded to where it needed to be re-calibrated)
- Maximum Platform Size:** 10 ft x 10 ft (using standard cable lengths)
- Supply voltage:** 110 v ac or 6 C Cell batteries
- Weight:** 15 lbs excluding case (37 lbs including case)
- Option:** RS-232 output



Load Cell Mounting Base Configuration